

European Solar and Energy Storage Solutions

Wind power project energy storage cabinet



Overview

What is a wind storage system?

A storage system, such as a Li-ion battery, can help maintain balance of variable wind power output within system constraints, delivering firm power that is easy to integrate with other generators or the grid. The size and use of storage depend on the intended application and the configuration of the wind devices.

What is wind farm energy storage capacity optimization?

The goal of wind farm energy storage capacity optimization is to meet the constraints of smooth power fluctuations and minimize the total cost, including the cost of self-built energy storage, renting CES, energy transaction service, wind abandonment penalty and smooth power shortage penalty.

Can wind power integrate with energy storage technologies?

In summary, wind power integration with energy storage technologies for improving modern power systems involves many essential features.

Do wind farms need energy storage capacity?

Considering the economic benefits of the combined wind-storage system and the promotion value of using energy storage to suppress wind power fluctuations, it is of great significance to study the optimal allocation of energy storage capacity for wind farms.

Why do wind turbines need an energy storage system?

To address these issues, an energy storage system is employed to ensure that wind turbines can sustain power fast and for a longer duration, as well as to achieve the droop and inertial characteristics of synchronous generators (SGs).

How to reduce the cost of energy storage in wind farms?

Considering whole-life-cycle cost of the self-built energy storage, leasing and trading cost of the CES and penalty cost of wind abandonment and smooth power shortage, an optimal configuration model of combined energy storage capacity in wind farms based on CES service was established to minimize the total annual cost.

Wind power project energy storage cabinet



Azure Sky Wind + Storage Project, USA

Azure Sky wind + storage is Enel Green Power's first large-scale hybrid wind project globally, featuring a 350 MW wind + 180 MWh battery storage facility. Located in Throckmorton County, Texas, the project is expected to generate ...

Wind Power Energy Storage: Harnessing the Breeze ...

Wind Power Energy Storage However, the intermittent nature of wind, much like solar power, poses a significant challenge to its integration into the energy grid. Accessible Renewable Energy: 10kW turbines offer an ...



The Future of Energy Storage , MIT Energy Initiative

MITEI's three-year Future of Energy Storage study explored the role that energy storage can play in fighting climate change and in the global adoption of clean energy grids. Replacing fossil ...

wind terminal projects: Cabinet approves offshore wind energy projects

The Union Cabinet approved India's first offshore wind energy projects with a capacity of 1 GW, divided equally between Gujarat and Tamil Nadu, at a total cost of Rs 7,453 ...



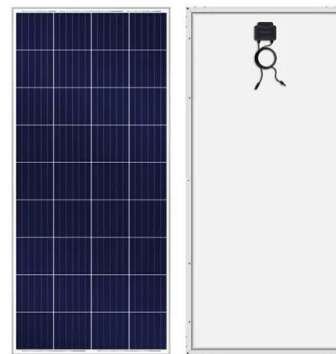
Liquid Cooling Outdoor Energy Storage Cabinet

Project features 5 units of HyperStrong's liquid-cooling outdoor cabinets in a 500kW/1164.8kWh energy storage power station. The "all-in-one" design integrates batteries, BMS, liquid cooling ...



The Future of Energy Storage , MIT Energy Initiative

Replacing fossil fuel-based power generation with power generation from wind and solar resources is a key strategy for decarbonizing electricity. Storage enables electricity systems to remain in balance despite variations in wind and ...

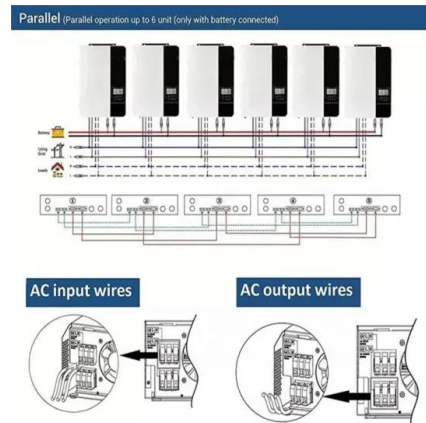


Cabinet Approves INR74 Billion VGF Program for Offshore Wind Projects

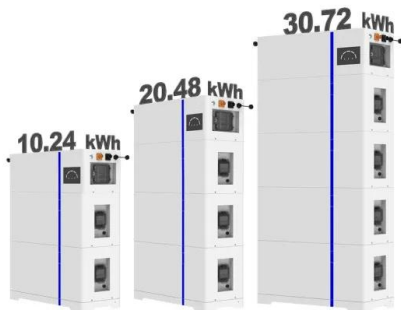
The Union Cabinet has approved a Viability Gap Funding (VGF) program with a total outlay of INR74.53 billion (~\$893.34 million) for offshore wind energy projects.. The program ...

Hybrid Distributed Wind and Battery Energy Storage Systems

A storage system, such as a Li-ion battery, can help maintain balance of variable wind power output within system constraints, delivering firm power that is easy to integrate with other ...



ESS



Liquid-cooled Energy Storage Cabinet-Human Wincle Energy Storage

Liquid-cooled Energy Storage Cabinet ? iBMS Battery Management System ? Heat Management Based on Simulation Analysis ? Multi-functional Product Applications ? Intelligent Energy ...

Liquid-cooled Energy Storage Cabinet-Human Wincle ...

Liquid-cooled Energy Storage Cabinet ? iBMS Battery Management System ? Heat Management Based on Simulation Analysis ? Multi-functional Product Applications ? Intelligent Energy Storage Platform humility, and dedication, ...



Trina Storage unveils Elementa, an industry-leading LFP battery cabinet ...

Trina Solar's new energy storage arm makes its debut at Europe's premier solar event. October 5th, 2021: Trina Storage, the global energy storage business launched by Trina Solar earlier



...

Quality Commercial Battery Storage Systems, Energy ...

Commercial Battery Storage Systems and Energy Storage Cabinet, Wenergy Technologies Pte.Ltd. is Energy Storage Cabinet factory. wind, or PV power systems Learn More >> Wenergy & Laohekou Energy Storage Project ...



Contact Us

For catalog requests, pricing, or partnerships, please visit:
<https://www.ssab-proiect.eu>