

European Solar and Energy Storage Solutions

Three-row photovoltaic bracket accessories diagram



Overview

What are mounting brackets & rails for solar panels?

Mounting Brackets are the primary components that attach the solar panels to the mounting surface. They come in various types depending on the mounting surface (roof, ground, pole, etc.). Rails: Rails are long, horizontal structures attached to the solar panels using clamps. They provide a stable base for the solar panels.

What is a power rail PV module mounting system?

The PV module mounting system engineered to reduce installation costs and provide maximum strength for parallel-to-roof, tilt up, or open structure mounting applications. The POWER RAIL mounting system is designed with the professional PV solar installer in mind.

What are the different types of solar panel mounting components?

Types of Mounting Components (Hardware) Mounting Brackets are the primary components that attach the solar panels to the mounting surface. They come in various types depending on the mounting surface (roof, ground, pole, etc.). Rails: Rails are long, horizontal structures attached to the solar panels using clamps.

Are solar stack roof mounting systems ul 2703 listed?

Solar Stack Roof mounting systems are UL 2703 listed. Standard for safety UL/ANSI 2703, Mounting Systems, Mounting devices, Clamping/Retention Devices and Ground lugs for use with PV modules. Solar Stack systems have been evaluated for module-to-system bonding and mechanical load to the requirements of UL/ANSI 2703.

What are the components of a solar mounting system?

Solar mounting systems comprise several components: Mounting Brackets: These secure the solar panels to the mounting structure, ensuring stability.

Rails: Rails provide a base for mounting the solar panels, acting as the backbone of the structure. Clamps: Clamps secure the solar panels to the rails, ensuring they are held firmly in place.

How to understand solar mounting system's datasheet?

When aiming to understand solar mounting system's datasheet, professionals must be wary of common pitfalls: Overlooking Environmental Factors: Ensure that the mounting system is suitable for the local climate and geography. Ignoring Compatibility: Check that the mounting system is compatible with the solar panels and the installation site.

Three-row photovoltaic bracket accessories diagram



Space optimization of utility-scale photovoltaic power plants

The rapid growth in installed capacity has led to a significant increase in the land footprint of PV power station construction [13] is projected that by the end of 2060, the PV ...

Photovoltaic Panel Manufacturer, Solar Mounting System, Solar Bracket ...

Double-row Products. Single Axis Tracking Bracket Solar Energy Power System.
 US\$0.02-0.03 / wa. 1 wa (MOQ) Photovoltaic Vehicle Shed Solar Carport Solar Energy Power System It is ...



Application scenarios of energy storage battery products



Large-Scale Ground Photovoltaic Bracket Selection Guide

Solar Racking Made Simple: What You Need to ...

Installing a solar energy system can be a challenging task. A home solar panel installation will include up to or more than a thousand parts so gathering the right component parts can take a lot of time researching what each part is and what ...

W-style photovoltaic brackets, with their distinctive 'W' shape comprising three inclined supports, offer unparalleled stability, making them an ideal choice for regions with high winds. The triple ...

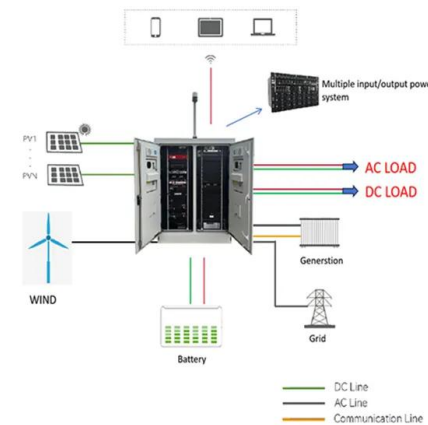


Klip-lok roof solar mounting system installation manual

Determine the appropriate installation area on the roof. Make sure the installation area to be center over the roof as much as possible. locate the row positions for Klip-lok clamp and mark ...

PV Bracket, Solar Clamp, Aluminium Frame, China Manufacturer

Our company is located in the state-level development zone, beside the beautiful Taihu Lake. The factory is divided into extrusion aluminum manufacturing and photovoltaic bracket, solar ...



Large-Scale Ground Photovoltaic Bracket Selection

...

W-style photovoltaic brackets, with their distinctive 'W' shape comprising three inclined supports, offer unparalleled stability, making them an ideal choice for regions with high winds. The triple-rod design of the W-style bracket

provides ...



Mounting Solar Modules and Estimating Parts

Estimating the number and size of rails, mid and end clamps, L-feet, or standoffs for your solar installation could be troublesome. This brief introduction offers insight into estimating the number of solar racking parts a project might need.



Andalay Solar INSTANT CONNECT Installation Guide

o80% fewer parts and 50% less labor than ordinary solar power systems. Designed for all roof types oComposition Shingle o Flat Tile oS and Barrel Tile o Standing Seam o Flat Roof (refer to ...

Single row solar photovoltaic panel bracket assembly diagram

1. Solar Panel (PV Module) The symbol for a solar panel is a square split into two parts: a smaller rectangle inside the larger one, representing the conversion of sunlight into electricity. 2. PV ...





Three Phase System Installation Guide

%PDF-1.6 %âãÏÓ 5809 0 obj >stream
hPOESMkÛ@ ý+sL(f¿? A`ÇuçC[^â& ö X[U KÂR
p÷ YS-- 9 ³Ûy3ófbËXoEUR?±p,ÈÈ;ô+
·pwÇ¶q^f0& #âS?ãÏz>Äa '=»`šÇØμ?ñ—

Necessary accessories for PV installation: brackets

Photovoltaic bracket can be classified in the form of connection mode, installation structure and installation location. According to the connection form, it is divided into welding type and ...



48V 100Ah

Contact Us

For catalog requests, pricing, or partnerships, please visit:
<https://www.ssab-proiect.eu>