

European Solar and Energy Storage Solutions

The relationship between photovoltaic panel grounding and lightning protection



Overview

This paper identifies the fundamental aspects of lightning interaction on PV and to summarize the lightning protection system requirement according to the standards and guidelines. The necessities of lightning protection on the PV systems and its barrier, the need for different lightning protection system on PV systems as well as its .

This paper identifies the fundamental aspects of lightning interaction on PV and to summarize the lightning protection system requirement according to the standards and guidelines. The necessities of lightning protection on the PV systems and its barrier, the need for different lightning protection system on PV systems as well as its .

This paper can help engineers design effective lightning protection system for PV systems and select appropriate protective devices. Solar photovoltaic (PV) system is one of the promising renewable energy options for substituting the conventional energy. PV systems are subject to lightning damage as they are often installed in unsheltered areas .

Solar Lightning Protection is important as Lightning strikes and related electric discharge is one of the top reasons for sudden, unexpected failures of Solar systems. Lightning can seriously harm your PV system.

This article discusses the lightning protection performance of a grounding grid for photovoltaic (PV) systems protected by independent lightning rods. Several grounding grid configurations are investigated, and the transferred voltages between the dc cables and supporting structures at different points in the PV system are evaluated using the .

- Why is Lightning Protection Important: • Large Free-field utility plants have large collection areas -Direct Strike Possibility • One of the most crucial parts of the lightning protection system in PV Plants is a meshed grounding system which needs to be installed during initial construction phase -Current Split

The relationship between photovoltaic panel grounding and lightning

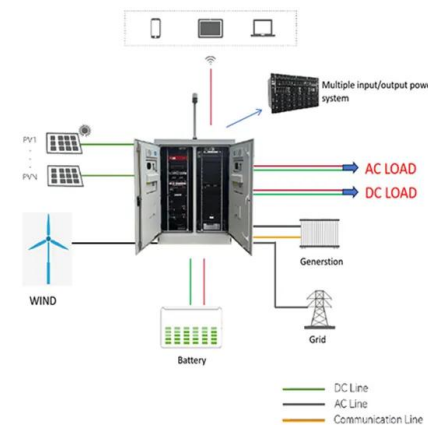


External Lightning Protection and Grounding to Reduce ...

o Why is Lightning Protection Important: o Large Free-field utility plants have large collection areas -Direct Strike Possibility o One of the most crucial parts of the lightning protection system in ...

Effective Grounding of the Photovoltaic Power Plant Protected ...

Yang Zhang, Binghao Li, Yaping Du, Yuxuan Ding, JinXin Cao, and Jiahua Lv. Abstract--This article discusses the lightning protection performance of a grounding grid for photovoltaic



The Development of Lightning Protection and Grounding ...

Lightning Protection, Grounding Systems, and Artificial Intelli- Lightning strikes are also a serious problem for solar PV systems. When lightning strikes a solar PV system, transient ...

Grounding and lightning protection of solar power systems (photovoltaic ...

In addition to the organization of external lightning protection systems of a temple, one should not forget about the provision of internal lightning protection systems: SPD, RCD, APS, etc., since ...

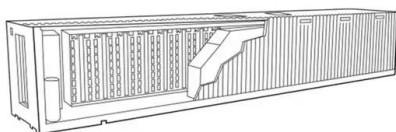


Lightning Protection of Photovoltaic Systems: Computation ...

hazards for human life. As it is mentioned in [4], direct lightning strikes on photovoltaic panels or on the external lightning protection system (LPS) may lead to insulation break-down, ...

Effective Grounding of the Photovoltaic Power Plant Protected by

This article discusses the lightning protection performance of a grounding grid for photovoltaic (PV) systems protected by independent lightning rods. Several grounding grid configurations ...



Lightning Protection of Photovoltaic Systems: ...

In this paper, the performance of a lightning protection system (LPS) on a grid-connected photovoltaic (PV) park is studied by simulating different scenarios with the use of an appropriate software tool. The aim of this ...

Common Method of Grounding for Photovoltaic ...

In general, the grounding holes of the solar panel are used for connection between strings, and the solar panel grounding holes at both ends of the string are connected to the metal bracket. Another point, solar panel has an aging ...



Effective Grounding of the Photovoltaic Power ...

The comparison effect of a Franklin lightning protection system and the ESE lightning protection system was analyzed for the PV power plant. The ESE lightning protection system was selected to be

External lightning protection and PV systems , Phoenix Contact

The PV system and lightning protection system can be installed at the same time without any problems. If a photovoltaic system is subsequently placed on a roof area where a lightning ...



Active Grounding of the Photovoltaic Power Plant ...

the wiring in the PV panels, dc cables, lightning rods, and PV supporting structures. In this study, the PV supporting structures composed of C profile steel are modeled using the noncircular ...



How to Protect Solar PV Systems from Lightning

PV System Without Lightning Protection. PV systems without lightning protection systems are at extremely high risk, easily suffering damage from lightning strikes and voltage surges. Potential Risks: (1) Lightning Damage: PV systems, ...



The Relationship Between Lightning and Solar Power Systems

Even if a solar panel avoids a direct hit, lightning's electromagnetic pulse can induce powerful surges in the electrical components of the system. This underscores the importance of ...

External Lightning Protection and Grounding to Reduce Stress ...

o Why is Lightning Protection Important: o Large Free-field utility plants have large collection areas -Direct Strike Possibility o One of the most crucial parts of the lightning protection system in ...



Residential solar system bonding and grounding methods for lightning ...

Photovoltaic (PV) panels are typically roof-top mounted and the DC/AC inverters are either collocated or installed inside the building. The PV system is grounded to grounding ...

Contact Us

For catalog requests, pricing, or partnerships, please visit:
<https://www.ssab-proiect.eu>