

European Solar and Energy Storage Solutions

Tanzania 15kwh battery price



Tanzania 15kwh battery price



How Much Do Solar Batteries Cost In Australia?

3 ???· Wrapping Up: Solar Battery Costs in Australia. Price Range: Popular solar batteries have an installed cost between \$9,000 and \$17,000 as of October 2024. Economy of Scale: Bigger batteries offer lower cost per kWh. Total Costs: The price tag includes battery, inverter, and installation costs. Finance options can add more.

Mobile Solar Power 15kWh Lithium Battery

off-grid freedom with mobile solar power 48V 300Ah lithium battery 15kWh. Enjoy clean, portable energy for camping, and emergencies, a reliable backup source. Price: \$0.00; Voltage Capacity Electricity (kWh) Voltage: 51.2V Capacity: 300Ah Electricity (kWh): 15.36kWh



15KWH Lithium Battery Green Bank Solar LiFePO4 48V 280AH

\$ 8,690.00 Original price was: \$8,690.00. \$ 7,920.00 Current price is: \$7,920.00. Shipping charges 385 Green Bank Solar LiFePO4 15 KWH lithium battery 48V 280AH - WG48280E 6500 cycles quantity. Add to cart. finally, This 15 KWH lithium battery can communicate with wide range of inverters such as, growatt,deye and many other inverters brands.

51.2v 300Ah 15 kwh lithium battery LiFePo4 pack 48v ...

51.2v 300Ah 15Kwh lithium ion LiFePO4 15 kwh battery bank. Its versatile design, high efficiency, and 10+ years life expectancy make it the ideal choice for homes and businesses. Request Quotation on Wholesale price. Additional ...



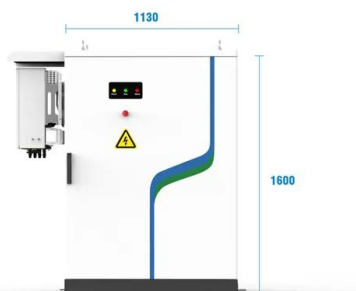
- LIQUID/AIR COOLING
- ON GRID/HYBRID
- PROTECTION IP54/IP55
- BATTERY /6000 CYCLES

Huawei LUNA 15kWh HV Lithium Solar Battery - ...

The Huawei Luna Smart String Battery offers a modular solution tailored to your needs. or 15 kWh and the ability to expand later, the Luna battery is ideal for responding to changing needs. In combination with the optional PV Optimiser, ...

FL-LPBF48300 48V 15KWH lithium battery

FL-LPBF48300 51.2V 15KWH lithium battery, FIVE years warranty ·Long warranty period: 3-5 years ·Iron phosphate-lithium power battery· Support connected in parallel mode for expansion ·Higher energy density, smaller volumn for household.



-  PV / DG Application
-  APP Intelligent Control
-  Multi-Unit Parallel Expansion
-  98.8% Max. Efficiency

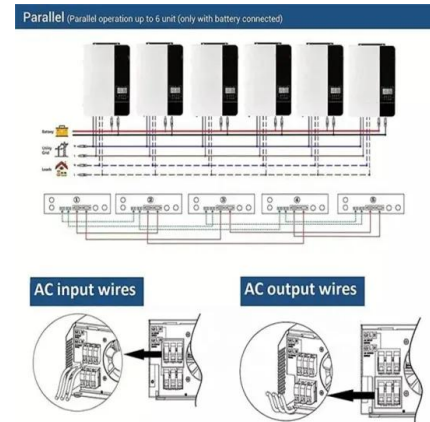
BSL 15kWh 300Ah Lithium-ion Solar Battery

Get the premium BSL 15kWh 300Ah Lithium-ion Solar Battery for your solar solution. Skip to content. JC Solar Panels Gauteng , Place your order before December 19, 2024, to ensure delivery before our festive season closure! R 19,999.99 Original price was: R19,999.99. R 18,369.31 Current price is: R18,369.31. Incl. VAT.

Add to cart.

Storz Power > 15.0kWh Storz Power AI+ LFP Battery Storage

If you have an existing PV array but need more power and want battery backup, no worries. AC couple the existing PV array and simply DC couple the added PV right into the Storz Power AI+ inverter. This reduces significant cost where the competitors would require multiple total systems.



Felicitysolar 15KW 300ah rechargeable lithium ion batteries pack li ...

Felicitysolar 15KW 300ah rechargeable lithium ion batteries pack li-ion lithium battery lifepo4 batterie price, US \$ 1410 - 1594 / Piece, Felicity solar, LPBF48300, /.Source from Guangzhou Felicity Solar Technology Co., Ltd. on Alibaba .

Sunmate SMS 15KWH (51.2V 300AH) Lithium Battery

The Sunmate SMS 15KWH (51.2V 300Ah) Lithium Iron Phosphate Battery combines advanced lithium technology with robust construction to deliver reliable, long-lasting power for a wide range of applications. Its high energy density, environmental benefits, and maintenance-free design make it a smart choice for modern energy storage solutions.



48V LFP Solar Battery

Introducing the BatteryEVO 48V 15 kWh LiFePO4

Support Customized Product



KONG ELITE Battery - your definitive solution for building a comprehensive solar or off-grid power system. The KONG ELITE stands out with its incorporation of an advanced Battery Management System (BMS), engineered to extend performance even under the challenging conditions of winter.

15kWh Lifepo4 Battery

LVFU 15kWh Lifepo4 Battery has 6000 cycles, 7-year warranty. lower price from distributors. Focus on solar energy batteries for 16 years. We exclusively use brand new 6000 cycle cells, with automatic fire extinguishing device (15kwh), built-in battery steel belt tightening design, battery life increased by more than 20%. Ensuring superior



FL-LPBF48300 48V 15KWH lithium battery

FL-LPBF48300 51.2V 15KWH lithium battery, FIVE years warranty ·Long warranty period: 3-5 years ·Iron phosphate-lithium power battery· Support connected in parallel mode for expansion ·Higher energy density, smaller ...

Felicity 15KWH/48V 300AH LITHIUM BATTERY (five years

These lithium batteries are designed for residential and commercial Energy Storage applications, with LiFePo4 chemistry battery which has been widely recognized as one of the safest battery technologies.3000 times deep cycle charge and dischargeIron phosphate -lithium power batteryHigher energy density,

smaller volume for the household.



Blue Carbon 15kwh/48v Lithium Battery Pack For Solar

...

1.The lithium battery features an elegant BMS that provides multiple protections to keep the battery operating safely: 2.Overcharge protection function -Overdischarge protection function 3.Over current protection function -Over ...



Storz Power > 15.0kWh Storz Power AI+ LFP Battery ...

If you have an existing PV array but need more power and want battery backup, no worries. AC couple the existing PV array and simply DC couple the added PV right into the Storz Power AI+ inverter. This reduces significant cost where the ...



Solar Energy in Tanzania for sale Prices on Jiji .tz

Jiji .tz More than 1476 Solar Energy for sale Starting from TSh 1,000 in Tanzania choose and buy today! Search in Solar Energy in Tanzania. Sell faster. Buy smarter Powerology 700w Power Generator 120,000mah Battery. Powerology

700w Power Generator 120,000mAh battery
 Price : 1,850,000Tshs Call / Brand New . TSh
 110,000. LED Solar



Saving Money and the Environment: Comparing Solar Battery Prices ...

When comparing solar battery prices in Tanzania, it is important to consider factors such as battery capacity, lifespan, efficiency, and overall value proposition. Evaluating government incentives and regulations can also provide additional financial benefits and support for solar battery adoption.



10kWh Solar Battery Price vs. 5kWh and 15kWh: ...

15kW Solar Battery Price. A 15kWh solar battery typically costs between \$15,000 and \$20,000, making it the most expensive option but also the most powerful. Factors to Consider When Choosing the Right Size. 1. Energy ...

Blue Carbon 15kwh/48v Lithium Battery Pack For Solar Home ...

1.The lithium battery features an elegant BMS that provides multiple protections to keep the battery operating safely: 2.Overcharge

protection function -Overdischarge protection
 function 3.Over current protection function -Over
 voltage protection function



Blue Carbon 15kwh/48v Lithium Battery Pack For Solar Home ...

Brand Name: Blue Carbon Model Number: BCT-
 UU48-300 Warranty: 5years Battery Size: 18650
 Place of Origin: Shandong, China Weight:
 160KGS The charging ratio: 80% The discharge
 rate: 80% Model: UU48-300 Rated voltage: 51.2V
 Continuously use input/output current: 100A
 Standard Charging voltage: 57.6V-60V Charging
 Voltage of Solar Panel: 120V Self-discharge ...

Sunmate SMS 15KWH (51.2V 300AH) Lithium Battery

The Sunmate SMS 15KWH (51.2V 300Ah) Lithium
 Iron Phosphate Battery combines advanced
 lithium technology with robust construction to
 deliver reliable, long-lasting power for a wide
 range of applications. Its high energy density, ...



Tanzania electricity prices, March 2024

The residential electricity price in Tanzania is
 TZS 0.000 per kWh or USD . These retail prices
 were collected in March 2024 and include the
 cost of power, distribution and transmission, and



all taxes and fees. Compare Tanzania with 150 other countries. Historical quarterly data, along with the latest update from September 2024 are available for download.

Sunsynk Wall Mount 15.97kWh 51.2V Lithium Battery

Cells produced by BYD, a global leader in lithium-ion battery development and manufacturing. The Sunsynk Battery LFP Wall Mount 15.97kWh 51.2V can be expected to remain serviceable for more than 10 years and this takes into consideration that it is charged and discharged once per day at room temperature (25°C).



Contact Us

For catalog requests, pricing, or partnerships, please visit:
<https://www.ssab-proiect.eu>