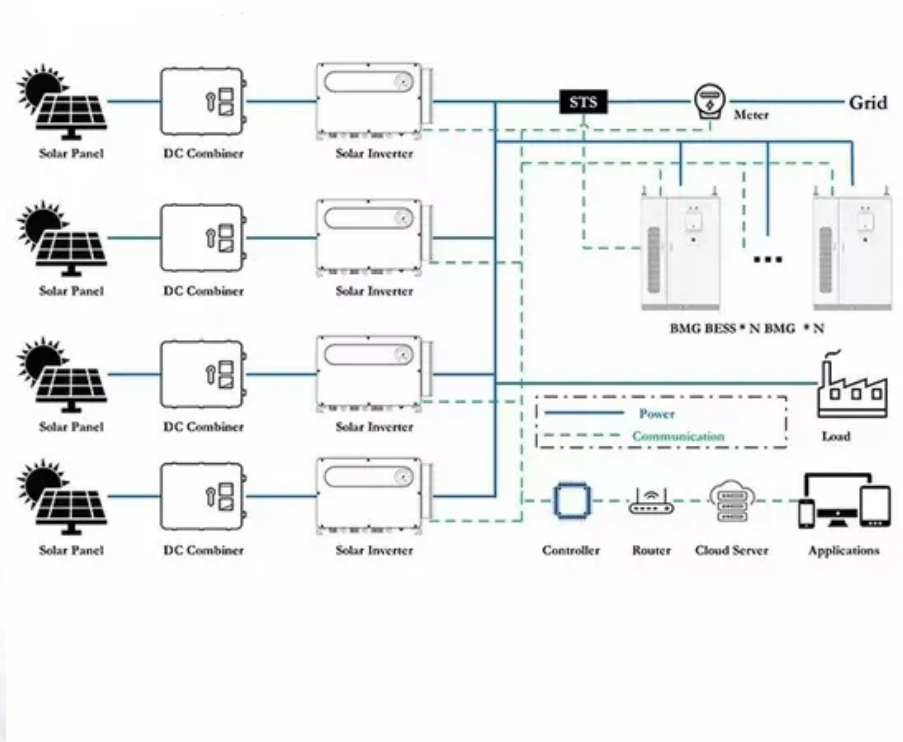


## European Solar and Energy Storage Solutions

# Solar photovoltaic panels explode and spontaneously combust



## Overview

---

Can solar panels catch fire?

Whilst the risk of solar panel systems catching fire is extremely low, like any other technology that produces electricity, they can catch fire.

What causes a solar panel fire?

External influences that can cause solar panel fires include moisture and water ingress into parts of the PV system, such as the DC and AC connectors. Additionally, consideration should be given to things such as build-up of dirt, bird droppings, and foliage on PV panels. These can lead to shading, causing hot spots that can escalate to burning.

What happens if a building with solar panels has a fire?

If a building with PV solar panels has a fire, due to the panels or another reason, Kavlak says firefighters may need to be trained differently from their normal practices to respond safely to the fire. The lithium-ion batteries that store solar power are a special concern of first responders because they can explode if ignited, says Paiss.

Can a photovoltaic fire cause a fire?

“Once a photovoltaic fire occurs in a densely populated area of the city, in addition to the high heat radiation generated by factors such as flashover – which may cause harm to firefighters and surrounding residents – the toxic gases generated by the combustion of photovoltaic panels cannot be ignored,” stated the report.

What happens if a PV panel Burns?

Scientists from China’s State Key Laboratory of Fire Science have analyzed the combustion behavior of flexible PET-laminated PV panels. They found toxic gases including sulfur dioxide, hydrogen fluoride, hydrogen cyanide and a small amount of volatile organic compounds are released when such a PV

system burns.

Are solar panels a fire risk?

Similarly, product defects make up a significant portion of solar-related fires, in which poor quality or incompatible components add to the risk of fire. Planning and design issues can also add to the risk of solar panel fires, causing damage to not just the PV installation, but the building on which they are mounted.

## Solar photovoltaic panels explode and spontaneously combust

---



### 6 Steps To Safe, Effective Solar Panel, ESS Fire Attack

Here, Captain Birt leads first responders in solar/ESS training in Puerto Rico. (Photos/Richard Birt) 4. Commence fire attack - from a distance: If the solar panels on the roof of a residential ...

### Are solar panels a fire hazard? , Fire Protection ...

One of the main causes of solar panel malfunctions are solar panel installation faults. Not using a competent installer of solar PV systems can lead to faults with potential to cause fires. Similarly, product defects make up a ...



### How Long Do Solar Panels Last on a House?

Do they spontaneously combust into stardust? No, 25-30 years is just the typical benchmark for guaranteed performance. Solar panels will continue to produce after the 30 year mark, albeit at a lower rate each year ...



### Investigators still uncertain about cause of 30 kWh ...

The homeowner told pv magazine that the

battery energy storage system consisted of three battery packs from Shenzhen Basen Technology. He bought two in June 2022 and an additional one in June 2023



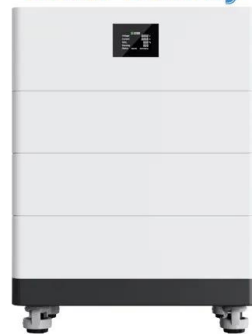
## Rooftop Solar Fire Incidents: Lessons Learned and Preventive ...

On the morning of January 10, 2021, Fire and Rescue NSW responded to a report of solar panels alighting on the roof of a house in Crestwood Avenue, Niagara Park. On arrival, firefighters ...

## A Consumer's Guide to Fire Safety with Solar Systems

Although there is no clear data on the number of fires caused by rooftop PV systems in the U.S., a solar system spontaneously bursting into flames is an extremely rare occurrence, according to ...

## High Voltage Solar Battery



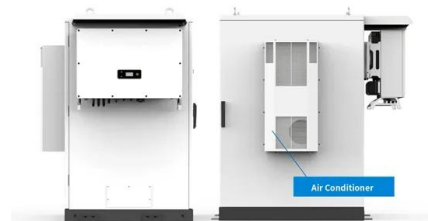
## Why do electric cars spontaneously combust so often? How can ...

Idk if you are moronic or trolling, but 1.0 GPH idle is common for SEMI TRUCKS. A typical car burns .2 to .6 GPH at idle. Heat is the "waste" part of the combustion process, so ...



## Spontaneous Glass Breakage: Why it happens and ...

In Canada, an Expert Panel on Glass Panels in Balcony Guards established by the Ontario Ministry of Municipal Affairs and Housing (MAH) recommended local building codes be amended to mandate the use of ...



## Spontaneous glass breakage on solar panels on the rise

The National Renewable Energy Laboratory noted an increase in spontaneous glass breakage in solar panels. The PV Module Index from the Renewable Energy Test Center investigates this and other

## How to prevent and deal with the spontaneous combustion of ...

If spontaneous combustion of a lithium ion battery occurs, the emergency treatment is usually carried out according to the following steps: first cut off the power supply. If the battery is ...



## Contact Us

---

For catalog requests, pricing, or partnerships, please visit:  
<https://www.ssab-proiect.eu>