

## European Solar and Energy Storage Solutions

# Mayotte yoshino solid state battery



## Overview

---

Are Yoshino batteries solid state?

Yoshino's power stations all use Lithium-NCM batteries with an Inorganic Polymer Composite electrolyte that is recognized by the scientific community as "solid-state". Yoshino is the only company offering commercially available power stations that fit this description. Are solid-state batteries safer than conventional lithium batteries?

.

Are Yoshino batteries better than LFP batteries?

Future generations of Yoshino products aim to achieve up to 3x energy density compare to LFP batteries, bring new levels of solid-state stability, and consistently lower prices. The world's first commercially available solid-state batteries power Yoshino's innovative power stations.

Why should you buy a Yoshino battery?

With current technology, this is the only way to bring affordable and accessible solid-state batteries to consumers everywhere. Future generations of Yoshino products aim to achieve up to 3x energy density compare to LFP batteries, bring new levels of solid-state stability, and consistently lower prices.

Are Yoshino batteries flame proof?

No battery is 100% flame proof. Any battery can catch fire under violent treatment, for example if the anodes and cathodes are pressed together. But Yoshino's batteries, and solid-state batteries in general, have very high thermal stability and are much less likely to catch fire or explode.

## Mayotte yoshino solid state battery

---

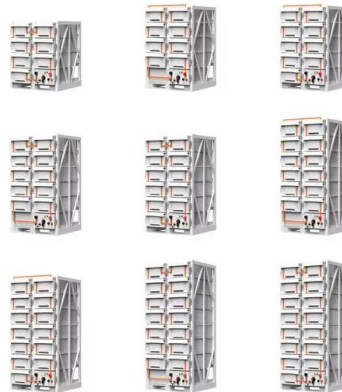


### Yoshino: Leading the Charge in Solid-State Lithium Batteries

Understanding Solid-State Battery Technology. Solid-state batteries have introduced a whole new way for batteries to function. They use a solid electrolyte whereas other batteries use liquid or gel. The liquid and gel electrolytes found in traditional lithium-ion batteries can cause a fire if they overheat and can be damaged easily.

### Solid-state Technology

Yoshino's power stations all use Lithium-NCM batteries with an Inorganic Polymer Composite electrolyte that is recognized by the scientific community as "solid-state". Yoshino is the only company offering commercially available power stations that fit this description.



### Yoshino B2000 SST Solid-State Portable Power Station

Experience the evolution of portable power with Yoshino's B2000 SST. Delivering 2000W in a lightweight design, it's perfect for powering household appliances during blackouts or on the go. Recharge from 0-80% in under an hour with our first-in-class solid-state battery. Power your adventure with Yoshino.

### Yoshino B4000 -- Ideal Portable Power Station?

5 ???· Yoshino aligns with the definition that major players like Samsung are using: Solid-state batteries use a solid electrolyte in place of the liquid or gel electrolyte found in traditional ...



## First Solid-State Portable Power Station , Yoshino Power

Yoshino batteries are built around a state-of-the-art solid electrolyte in place of the bulky and flammable liquid electrolyte found in traditional lithium-ion batteries. This improves performance in practically every way and represents a giant leap forward for battery technology.



## Yoshino K20SP22 Solid-State Portable Solar ...

Experience the evolution of portable power with Yoshino's B2000 SST. Delivering 2000W in a lightweight design, it's perfect for powering household appliances during blackouts or on the go. Recharge from 0-80% in under an hour with our ...



## Explore More Yoshino Solid-State Portable Power Station

Amazon : Yoshino Solid-State Portable Power Station B2000 SST, 1326Wh Backup Battery with 4X AC Outlets 2000W, Full Charge in 1 Hour, Solar Generator (Solar Panel Optional) for Camping, Outdoor, Emergency, RV : Patio, Lawn & Garden Power Your Appliances: Featuring 2000 watts and a 1326 Wh solid-state battery pack,

50KW modular power converter



the B2000 SST solid

## Solid State Batteries Are REALLY Here (Or Are They?): Yoshino ...

Yoshino is roughly \$1.24/Wh, while the others chime in between \$0.90 - \$1.12/Wh. That means Yoshino's battery, which is a first-gen product, comes in 11-37% more costly than the competition per Wh. However, one of the key benefits of solid state is safety, longevity, and energy density, so how does it compare to the last one?



## Save Big on Solid-State Power: Yoshino Unveils Unbeatable Black ...



**2MW / 5MWh**  
Customizable

Yoshino's portable power stations feature advanced solid-state battery technology, delivering safer, more efficient power with up to 2.5 times the energy density of traditional batteries om

## Creating the World's First Solid-State Battery

The inception of the Yoshino Solid-State battery stems from a profound understanding of the limitations inherent in current lithium-ion battery

technology. Traditional NCM (Nickel, Cobalt, and Manganese) lithium-ion batteries, while widely used, engender substantial safety concerns due to their utilization of liquid electrolytes, rendering them



### **The Yoshino B2000 is a Solid State Power Station with Incredible**

The solid-state battery in the Yoshino B2000 can withstand up to 4000 charge cycles while maintaining 80% of its original capacity. This extended lifespan guarantees you'll get years of reliable service, making the B2000 a smart investment for anyone needing dependable portable power.



### **Yoshino Solid-State Portable Power Station B4000 SST, 2611Wh ...**

New Solid-State Technology: Introducing the world's first portable power station utilizing a solid-state battery, enhanced safety, 2.5x higher energy density, and up to 4000 cycles to 80% ...



### **Yoshino, Solid-State Power Station Battery Generator 4000W**

SAFETY FIRST - Yoshino solid-state battery cells provide a peace of mind that the competition leaves out; Yoshino has full ETL certification on



all its portable power stations and has been U.S. lab tested against thermal runaway (no flammability issues like traditional lithium batteries), along with over voltage, over current, over charging

## Solid State Batteries Are REALLY Here (Or Are They?): ...

Yoshino is roughly \$1.24/Wh, while the others chime in between \$0.90 - \$1.12/Wh. That means Yoshino's battery, which is a first-gen product, comes in 11-37% more costly than the competition per Wh. However, one of ...



## Yoshino Solid-State Portable Power Station B4000 SST, 2611Wh ...

New Solid-State Technology: Introducing the world's first portable power station utilizing a solid-state battery, enhanced safety, 2.5x higher energy density, and up to 4000 cycles to 80% capacity. The 2611 Wh capacity delivers powerful performance with a battery weight of 21 lbs

## Yoshino B330 Solid-State Power Station

Amazon : Yoshino Solid-State Portable Power Station B330 SST, 241Wh Backup Battery with 2x AC Outlets 330W, Smart APP Control, Solar Generator (Solar Panel Optional) for Camping, Outdoor, Emergency, RVs : Patio, Lawn & Garden



## Yoshino Solid-State Portable Power Station B660 SST, 602Wh ...

New Solid-State Technology: Introducing the world's first portable power station utilizing a solid-state battery, enhanced safety, 2.5x higher energy density, and up to 4000 cycles to 80% capacity. The 602 Wh capacity delivers powerful performance with a battery weight of 5 lbs



## Yoshino Technology Introduces First Solid-State Technology (SST)

Offers more power in a smaller, safer battery targeted to Outdoor Family, Outdoor Adventure, Home Backup and Industrial uses LAS VEGAS, Nov. 02, 2022 (GLOBE NEWSWIRE) -- AAPEX - Yoshino



## The Elusive Solid-State Battery: Is the Yoshino Technologies ...

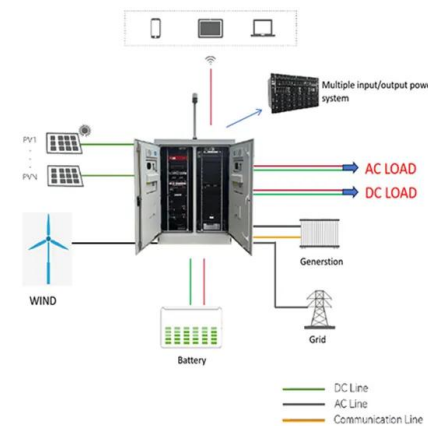
The Yoshino Technologies Power Station caught our eye as it is claimed to be the "World's first portable power station with Solid-State Technology", offering advantages including

"more power into a smaller package, making them lighter and safer".



## What Makes Yoshino the Safest Power?

Yoshino: Pioneering Solid-state Lithium Batteries. Yoshino is the world's first brand to bring solid-state lithium battery power stations to market. Yoshino has committed itself to the advancement of solid-state battery technology since 2021, and applies it to portable power stations that enable off-grid outdoor activities such as camping



## Solid-State Technology-1

Yoshino Solid-State Battery Cells Passed USA Lab Safety Testing. Thermal Runaway Test. Nail Penetration Test. Short Circuit Test. Go to item 1 Go to item 2 Go to item 3. Truly Portable. Our solid-state batteries offer an unmatched power-to-weight ratio, delivering up to twice the power per pound. This enhanced energy density allows us to create

## Yoshino Solid-State Portable Power Station B4000 SST, 2611Wh ...

Amazon : Yoshino Solid-State Portable Power Station B4000 SST, 2611Wh Backup Battery with 4000W AC Outlets & TT-30R Outlets for RVs,

Solar Generator (Solar Panel Optional) for Camping, Outdoor, Emergency : Patio, Lawn & Garden Power Your Appliances: With 4000 watts and a 2611 Wh solid-state battery pack, the B4000 SST solid-state



## Yoshino Solid-State Portable Power Station B660 SST, 602Wh ...

Power Your Appliances: With 660 watts and 602 Wh solid-state battery pack, the B660 SST provides ample power for devices and appliances through nine outlets. It's ETL certified to UL2743 standards ; What's Included: 1x Yoshino Solid State Portable Power Station B660 SST, 1x 120 W AC to DC Recharge Adapter, 1x Cigarette Car Charging Cable

## Yoshino B4000 -- Ideal Portable Power Station?

5 ???· Yoshino aligns with the definition that major players like Samsung are using: Solid-state batteries use a solid electrolyte in place of the liquid or gel electrolyte found in traditional lithium



## Yoshino K40SP21 Solid-State Portable Solar Generator

Solid-State Lithium Battery; Truly Portable Power - 53.6 lbs. at 2611Wh at 4000W Output; Fast Charging Capability- 80% in only 70 minutes (AC) Transform the solid-state portable power station



into an eco-friendly solar generator with optional Yoshino solar panels. Effortlessly recharge and enjoy limitless power, all while embracing

## Contact Us

---

For catalog requests, pricing, or partnerships, please visit:  
<https://www.ssab-proiect.eu>