

European Solar and Energy Storage Solutions

How to punch holes in photovoltaic panel brackets



Overview

How do I install a fixing bracket on a solar panel?

Attach the Fixing Bracket to the Solar Panel 3. Attach the Fixing Bracket to the Solar Panel's Mounting Hole 4. Attach the Other Leg of the Fixing Bracket 5. Attach the Adjustable Bracket to the Fixing Bracket 6. Connect Multiple Panels (Optional) If you've decided to reduce your reliance on the grid and switch to solar, congratulations!.

What is a solar panel mount?

The purpose of a solar panel mount is to serve as a foundation for a solar panel. Mounting systems allow for solar panel arrays to be positioned in the most effective location to maximize the panel's exposure to sunlight. The type of solar panel mounts will vary widely depending on the rooftop or surface type where it is being installed on.

How do I Mount my solar panels?

There are multiple options for mounting your solar panels. The best option for you is most likely the flat surface on your home that receives the maximum exposure to sunlight. For irregular surfaces, you can augment your rigid solar panel array with flexible solar panels.

How to install rigid solar panels on a roof?

EcoFlow's rigid solar panels come with a Tilt Mount Bracket for easy rooftop installation. The components include four fixing brackets, two adjustable brackets, and screws. This should be all you need to mount rigid solar panels on the roof or any other flat surface on your home that receives direct sunlight.

Do solar panels need mounts?

Solar panel mounts are a common component of almost every solar panel array. Although there are newer solar panel technologies coming out that do

not require mounts, such as the Lumeta solar module that are being developed, the majority of solar panel arrays on the market and the ones already installed will require this feature.

How do you attach mending plates to a solar panel?

Measure the distance between the mounting holes on the back of your solar panel. Use this distance to mark where to attach the mending plates. Screw the mending plates to the angled side (the hypotenuse) of the brackets. Attach two plates per bracket, oriented inward. Here's a video illustrating what I mean:

How to punch holes in photovoltaic panel brackets



\$11 DIY Portable Solar Panel Stand: 7 Steps (w/ Photos)

Try out your snazzy new homemade solar panel stand by standing up your panel. Admire its beauty ?. And pat yourself on the back. You did good. Step 7: Test Your DIY Solar Panel Stand. Use our solar panel angle ...

Understanding the Different Types of PV Panel Mounting Brackets ...

This makes them an ideal choice for both residential and commercial solar panel installations. 7. Top of Pole Mount. The Top of Pole Mount is one of the different types of PV ...



DIY Solar Panel Wall Mount: 7 Steps (w/ Videos)

Now only one thing left to do -- attach the solar panel. Step 7: Attach the Solar Panel to the Wall Mount. Measure the distance between the mounting holes on the back of your solar panel. Use this distance to mark ...



Solar Panel Tilting Mechanism (Motorized Kits + Diy)

The brackets holding the solar panel to the

surface; The actuator that lifts the solar panel (often contains the computer component) The rotation between the frames allows the solar panel to tilt. Solar Panel Tilting Brackets. ...

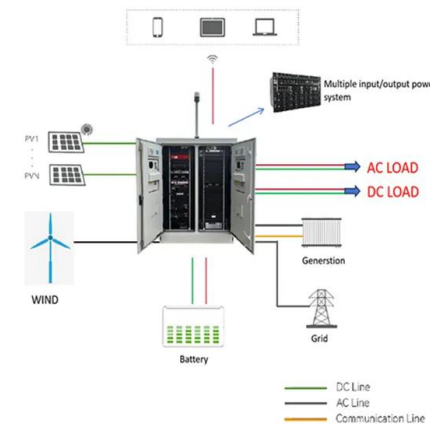


A Guide to Solar Panel Mounts

Solar panel mounts are used to secure your solar array to a surface and can also be used to optimize your panel's energy production through its angle and direction. The type of solar mounts that would be required for an ...

How to install a solar panel mounting system on your roof

This Conergy solar panel mounting system consists of: brackets, rails, and panels. Conergy mounting bracket for solar panels to be installed on Roman tile roofs The first step in mounting ...



How to Mount a Solar Panel at Home

You can invest in Renogy Corner Bracket Mount, a drill-free alternative mount for your solar system that secures the panels well. The mount lifts your solar panel to an optimum height and establishes an air gap between ...

Renogy 28in Adjustable Solar Panel Mount Brackets, with ...

Quick assembly with stainless steel fasteners and precise hole placement. Great addition for use on top of an RV or other flat surface. Compatible with Renogy Solar Panels under 100W.



Brackets for Fixing Photovoltaic and Solar Panels on Tiles.

Brackets for Solar and Photovoltaic Panels on Various Types of Tiles. Over the years, we've developed brackets that fit practically all types of tiles: clay tiles, Portuguese tiles, Marseille ...

How to Mount Flexible Solar Panels: A Comprehensive ...

Press the panel down firmly, ensuring a solid bond between the panel and the surface. Wiring Your Solar Panels Series or Parallel Connection. The good news is that flexible solar panels use the same wiring methods as ...



Contact Us

For catalog requests, pricing, or partnerships, please visit:
<https://www.ssab-proiect.eu>