

European Solar and Energy Storage Solutions

How to install the photovoltaic panel base plate



**Low Voltage
Lithium Battery**

6000+ Cycle Life



How to install the photovoltaic panel base plate

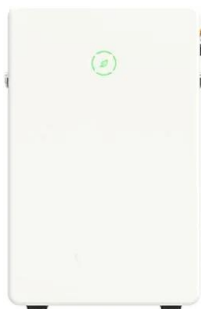
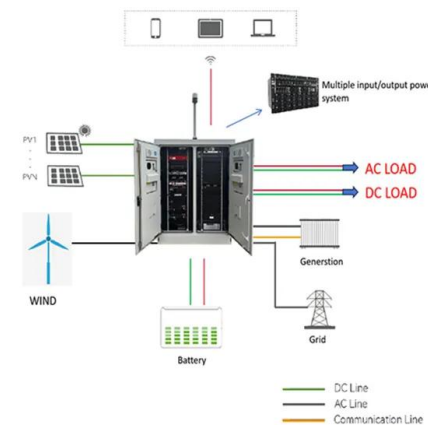


Solar mounting structure construction methods -- ...

The success of a PV installation relies on solar panel mounting systems. Here we discuss the four-step approach to selecting the right mounting structure for your PV project. Solar panel mounting systems play a key role ...

Solar Panel Cost in 2024: How to Estimate The Cost of ...

The average solar panel cost has declined dramatically over the last decade, and solar systems now offer more value to homeowners than they ever have before. The chart below shows the solar panel installation cost breakdown since ...



An Inside Look at Solar Panel Construction: Techniques and ...

Choosing the right solar panel installation is crucial in harnessing solar energy. This choice affects both small and large scale installations. It influences the energy production ...

Complete Solar Panel Installation Guide

This guide walks you through the key steps of

solar panel installation, from choosing the right location to maintaining the system. How To Choose the Right Location for Solar Panels. The effectiveness of a solar panel ...



DIY Solar Panel System Installation Guide: Step by Step

Wondering how to do your own DIY Solar Panel Installation? Click to read our step by step guide that walks you through everything you need to know. From designing your DIY solar power system to picking the ...

How to Calculate the Surface Area Required by Solar ...

A 1 m² solar panel with an efficiency of 18% produces 180 Watts. 190 m² of solar panels would ideally produce 190 x 180 = 34,200 Watts = 34.2 KW. But inclined solar panels also need some spacing between them so ...



The Ultimate Guide on How to Ground Solar Panels

This method eliminates the need for individual panel grounding but may require specific inverters with grounding capabilities. 3. Grounding through the solar panel frames. Solar panels with integrated grounding ...



How to Install Solar Panels (Detailed Step-By-Step Guide)

Learning how to wire solar panels requires learning key concepts, choosing the right inverter, planning the configuration for the system, learning how to do the wiring, and more. In this article we will teach you all of ...



How are solar panels installed? , 11 steps explained

Solar panel installation: at a glance. ? The first step of a solar panel installation is a survey of your property. ? Scaffolding will usually go up four or five days beforehand. ? Most solar panel installations take between ...



A Guide to Solar Panel Mounts

Solar panel mounts can be completely customized to facilitate the effective positioning of the attached solar panel array to meet these parameters. When looking at residential solar panel systems, the roof layout and roof ...





Ground Preparation and Foundation for Solar Panel Arrays

Ground-Mounted Solar Panel Installation Steps. Racking Assembly: Assemble the racking system according to the solar panel layout designed for the site. The racking system securely holds ...

Photovoltaic Solar Panel Rail Rooftop Installation Adhesives

If you're installing solar panel arrays on a metal or concrete roof, eliminate the need to drill holes. Our adhesives securely attach photovoltaic solar panel mounting rails to the rooftop without ...

Energy storage(KWh)

102.4kWh

Nominal voltage(Vdc)

512V

—
Outdoor All-in-one ESS cabinet



Solar Panel Malaysia: Price of Installation [Updated ...

Factors that affect the Solar Panel Installation Price Size of the System. When determining the size of your solar panel system, it's essential to consider the available installation area on your roof and your desired ...

DIY Solar Panel Installation: A Step-By-Step Guide To Going Green

Find out how to construct, install, and maintain your own solar panel system with this comprehensive guide. Learn the tips and tricks needed for a successful DIY project that ...



Photovoltaic Solar Panel Rail Rooftop Installation ...

If you're installing solar panel arrays on a metal or concrete roof, eliminate the need to drill holes. Our adhesives securely attach photovoltaic solar panel mounting rails to the rooftop without damaging the roof's structural integrity or ...

Contact Us

For catalog requests, pricing, or partnerships, please visit:
<https://www.ssab-proiect.eu>