

European Solar and Energy Storage Solutions

How to draw lines on the photovoltaic panel drawing



Overview

Do you need a solar one line diagram?

In the world of solar PV installation, preparation is critical. Whether the system is 5kW or 500kW – all solar contractors should undertake careful planning long before the installation takes place. Generating a solar one line diagram is a simple and effective way to design a solar system.

Why is a single line drawing important for PV systems?

The importance of a comprehensive single line drawing for PV systems is critical, ensuring that every detail from circuit conductors to protection devices, such as circuit breakers, is accurately depicted. To create an SLD, you need to consider the following steps:

How do I design a photovoltaic and solar hot water system?

Provide an architectural drawing and riser diagram for the homeowner showing the planned location for future photovoltaic and solar hot water system components. Space requirements and layout for photovoltaic and solar water heating system components should be taken into account early in the design process.

Does proficad support photovoltaic circuit diagrams?

ProfiCAD supports the drawing of photovoltaic circuit diagrams. In addition to the common electrical engineering symbols, the library includes symbols such as solar cells, photovoltaic panels, solar collectors, inverters, etc. Should you need more symbols, you can create them in the symbol editor. Some sample drawings (click for full size):.

What is single line diagram?

Understanding the ‘ what is single line diagram ‘ is crucial to help PV installers, EPC, and construction companies to outsource their solar drafting services effectively. A single-line diagram, or SLD, is a simplified notation for

representing an electrical system.

What is a 3-line circuit diagram?

Also called a circuit diagram, it shows the connections to each component and every circuit is shown. Also, every electrical component relevant to the system is drawn in this diagram. As a result, a complete 3-line diagram can be used to create a bill of materials for the system.

How to draw lines on the photovoltaic panel drawing

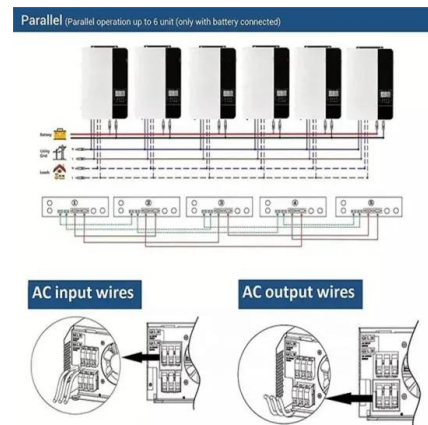


One-Line Diagram Symbols (With Table) , Solar Plan Sets LLC

1. Solar Panel (PV Module) The symbol for a solar panel is a square split into two parts: a smaller rectangle inside the larger one, representing the conversion of sunlight into electricity. 2. PV ...

Documenting PV Design

A three line diagram is a complete wiring diagram of the PV system showing all conductors at each circuit segment and connections of these conductors to electrical equipment. Some extremely detailed three lines present connections ...



- Voltage range: 91.2-947.2V
- >6000 cycles (100%DOD)
- Rated battery capacity: 216KWH (customizable)
- EMS communication: 4G/CAN/RS485

Drawing Photovoltaic Diagrams

ProfiCAD supports the drawing of photovoltaic circuit diagrams. In addition to the common electrical engineering symbols, the library includes symbols such as solar cells, photovoltaic panels, solar collectors, inverters, etc. Should you ...

The Complete Guide To Solar Panel Wiring Diagrams

Understanding the intricacies of solar panel

wiring diagrams is a crucial step towards achieving your renewable energy dream. In this extensive guide, we'll embark on a deep dive into the world of solar energy, covering everything ...



Architectural Drawings for Solar Photovoltaic Systems

To meet the requirements of the DOE Zero Energy Ready Home program, provide an architectural drawing and riser diagram of RERH solar PV system components and solar hot water. Develop architectural drawings ...

Electrical Power Distribution: Part 2 Drawings, Symbols

Three-Line Drawings A three-line drawing provides more detail than a single-line drawing. Where the SLD shows one line between devices, the three-line drawing shows all three conductors. ...

ESS

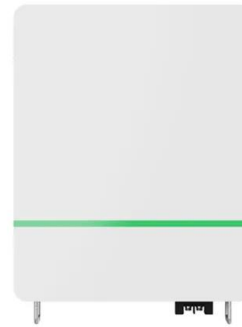


How to Layout a Basic Electrical Panel Diagram

EPLAN, a leading software solution in the field, simplifies the process of designing electrical panels. Whether you're an aspiring electrical engineer, a seasoned professional looking to upgrade your skills, or simply someone with ...

Solar One Line Diagram 101: For Solar Contractors

How-To: Create a Solar Single Line Diagram.
Follow these detailed steps to draw a
comprehensive single-line diagram for a solar
installation system that includes a PV array, a
battery backup, and a standby generator:



How to draw a solar panel step by step?

Step 2: Add diagonal lines. Next, add two
diagonal lines from the top left corner to the
bottom right corner of the rectangle. These lines
represent the cells that make up the solar panel.
Step 3: Draw vertical lines. ...

Contact Us

For catalog requests, pricing, or partnerships, please visit:
<https://www.ssab-proiect.eu>