

## European Solar and Energy Storage Solutions

# Do photovoltaic panels need to be waterproof

- High energy density and long cycle life
- Modular structure

- No need to replace the battery
- Shorter charging time
- Meets 99% EV car



## Overview

---

Yes, most solar panels are designed to be waterproof and can withstand various weather conditions, including hurricanes, when they're adequately installed.

Yes, most solar panels are designed to be waterproof and can withstand various weather conditions, including hurricanes, when they're adequately installed.

Almost always, rooftop or ground-mounted solar array will have panels exposed to rainy, wet weather, meaning panels need to be waterproof in order to keep producing power for many years.

Therefore, waterproofing is essential to protect solar panels from water damage, which can be costly to repair and can reduce the panel's efficiency.

Are solar panels waterproof?

Don't worry - your solar panels are waterproof . Solar panels warranties protect from rare cases of water damage . Beyond being waterproof, solar panels stand up to most weather conditions . The best way to get quotes for high-quality solar installations is on EnergySage . Are solar panels waterproof?

Almost always, rooftop or ground-mounted solar arrays will have panels exposed to rainy, wet weather, meaning panels must be waterproof to keep producing power for many years. Because solar panels have been exposed to the elements for several decades, they need to resist water damage as possible. All home solar panels are waterproof.

Do photovoltaic panels need water?

But photovoltaic panels do require some water, even though they don't have turbines to turn. In the desert and in semi-arid coastal California, where rain may not fall for many months at a time, dust accumulates on those panels, and dust cuts into power output.

Are solar panels protected against rainwater?

It seems like solar panels are protected against water, however, there is something else in your PV system that needs protection from rainwater, your roof.

Can photovoltaic panels collect rainwater?

Aside from harnessing the sun's energy, photovoltaic (PV) panels can also provide an opportunity to collect rainwater. With water supplies becoming an increasing concern, more states in the U.S. are embracing rainwater harvesting as an effective means for water conservation.

What happens if a solar panel gets flooded?

A non-waterproof solar panel may get flooded with water, causing less sunlight to reach the solar cells or even breaking individual cells. If this happens, they will likely not produce the power needed to fulfill their production warranty promise, and your solar manufacturer will replace any water-damaged panels.

Do solar panels have a warranty?

Luckily, most solar panel manufacturers offer two different warranties to protect your solar panel investment: an equipment warranty and a production warranty. A solar panel equipment warranty protects against problems associated with the quality of the physical solar panel.

## Do photovoltaic panels need to be waterproof

---



### Solar inverters: pros and cons of string inverters vs.

Solar inverters have one core function: convert the direct current (DC) solar panels generate into an alternating current (AC) used in your home. There are two main types of home solar inverters: Microinverters attach to the back of ...

### The Ultimate Guide to Solar Panels Circuit Breaker , Electrly

What size breaker do I need for a 100-watt solar panel? A 100-watt solar panel typically requires a 15-amp circuit breaker. However, just like a 200-watt solar panel, it's important to note that the ...



### Flexible Solar Panels: Everything You Need To Know

Renology 175 Watt Flexible Solar Panel: \$290: 17.3%: 248 degrees: 6.2 pounds: Amazon: WindyNation 100 Watt Flexible Solar Panel: \$129: Not available: 30 degrees: 4 pounds: Amazon: SunPower 100 Watt Flexible ...

### Are Solar Panels Waterproof? Materials/Design ...

Solar panel manufacturers design their products

to withstand the worst weather conditions. A rigid framework made of aluminum, tempered glass, and polymers is sealed together to protect the PV cells from all the ...

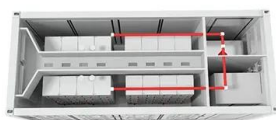
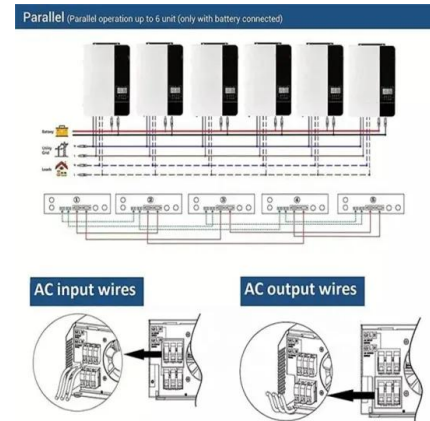


## The Ultimate Guide to Solar Lights and Solar Photovoltaic Lighting Systems

Therefore, if you need, you can use a larger solar panel and hence a bigger battery. Solar traffic lights - an ideal solution in natural disasters that might lead to power ...

## Are Solar Panels Waterproof? Details Explained

Yes, most solar panels are designed to be waterproof and can withstand various weather conditions, including hurricanes, when they're adequately installed. However, this also depends on the quality of your solar ...

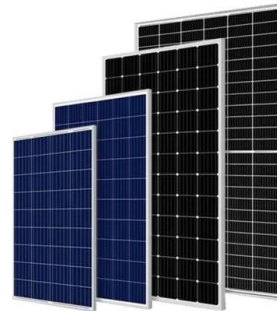


## What Are The Different Types Of Solar Panel ...

Solar panel connectors are crucial items in the solar panel to the solar charge controller, into the solar inverter, and then power every appliance at the home (from refrigerators to air con units). The solar connector plugged ...

## Roof Anchor System for Solar Panels

PV panel anchors are installed and flashed before installing racks and panels. (Source: IBACOS.)  
 Figure 6. Lag-Bolted L Brackets for Mounting PV Panels to Roof Decking. (Source: Solar Rating and Certification Corporation 2020.) ...



## Are Solar Panels Waterproof? (Solar Cells) - Everything ...

Even though panels solar are indeed waterproof, there are still a couple of solar cells panels waterproofing to keep in mind based on your priorities: 1. An IP65 solar panel can handle 4.35 lbs/sq. inch (or 30kPa) of ...

## Are Solar Panels Waterproof? [Can Water Damage ...

Solar panels are waterproof because they are made to withstand inclement weather. The wiring and electronics inside are not water-resistant, though. Solar panels are watertight thanks to multiple layers of glass, a metal ...



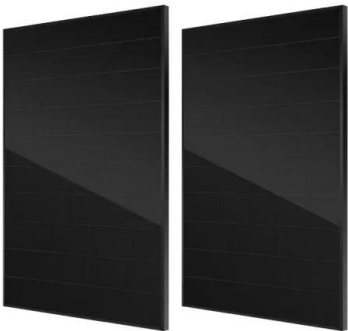
## Solar inverters: pros and cons of string inverters vs. microinverters

Solar inverters have one core function: convert the direct current (DC) solar panels generate into an alternating current (AC) used in your home. There are two main types of home solar ...



## Are Solar Panels Waterproof?

The electricity is captured by wiring within the solar panel. Above all else, the wiring and other electronics within solar panels are where water could do the most damage. This is why solar panels are constructed in ...



## Are All Solar Panels Waterproof? Can They Withstand Rain?

What Makes Solar Panels Waterproof. Solar panels have to be able to resist water. The silicone cells, wiring, and string connector ribbon need to be dry to generate power effectively. All of the interior components of a solar ...

## The Ultimate Guide to Solar Lights and Solar ...

Therefore, if you need, you can use a larger solar panel and hence a bigger battery. Solar traffic lights - an ideal solution in natural disasters that might lead to power outages and traffic disturbances. Are solar lights ...



## Does a Ring solar panel need direct sunlight? What you should ...

Ring solar panels are an excellent option for those who want a cleaner and more efficient energy source for their Ring devices. While it's easy to just install it outdoors and wait ...

## Are Solar Panels Waterproof?

Most solar panels are waterproof and designed to withstand various weather conditions, including rain. Solar panels are protected from water damage by top layers of waterproof glass, durable polymer-based materials on the bottom

...



## Contact Us

---

For catalog requests, pricing, or partnerships, please visit:  
<https://www.ssab-proiect.eu>