

## European Solar and Energy Storage Solutions

# Adjustable pitch angle photovoltaic bracket



## Overview

---

What are adjustable solar panel mounting brackets?

Adjustable solar panel mounting brackets designed for off-grid solar systems. Quick assembly with stainless steel fasteners and precise hole placement. Great addition for use on top of an RV or other flat surface. Compatible with Renogy Solar Panels under 100W. Some of these items ship sooner than the others.

Why should I use renogy's adjustable solar panel tilt mount brackets?

Using Renogy 's adjustable solar panel tilt mount brackets allows you to properly orient the panels at the perfect pitch for your site's solar access and roof, ensuring maximum energy production. The angle at which you install your solar panels plays a crucial role in maximizing their energy production.

What size solar panels can a eco bracket fit?

[Improve Adaptability ] - The newly upgraded ECO bracket can accommodate solar panel arrays ranging from 100W to 400W or panels with a width of approximately 45 inches. This bracket is suitable for all ECO-WORTHY solar panels [Easier Assembly] -Are you still worried about not knowing which screw matches which bracket?

.

Do solar panel mounts change the tilt angle?

Seasonal Variations: The sun's position in the sky varies throughout the year, with higher angles during the summer and lower angles during the winter. Adjustable solar panel mounts allow you to change the tilt angle seasonally, ensuring optimal performance year-round.

What is a windynation adjustable solar panel mounting kit?

WindyNation Adjustable Solar Panel Mounting Kit is designed to mount/rack

solar panels up to 28 in. in width. Includes: Adjustable mounting frame and fasteners (see photos above). Note: No solar panel is included with your purchase. I would like to know the dimensions of the assembled product, if it is adjustable with.

What is a good roof pitch for solar panels?

For residential rooftop solar, the available roof pitch factors into the panel tilt. The most common roof pitches on U.S. homes range from 3-in-12 (14 degree) low slope to 6-in-12 (26.6 degree) steep slope, with 4-in-12 (18.4 degrees) and 5-in-12 (22.6 degrees) being very typical for asphalt shingle roofs.

## Adjustable pitch angle photovoltaic bracket

---



### WindyNation Adjustable Solar Panel Mount Mounting Rack Bracket ...

Easily setup your solar panel with the included toolkit and micro-usb cord with this WindyNation Adjustable Solar Panel Mount Mounting Rack Bracket with Large Mounting Arms. and when ...

### Rich Solar Adjustable Solar Panel Tilt Mount Brackets

Ideal for positioning solar panels at an angle on a rooftop. Used on flat surface or roof. Maximum tilt angles depend on the size of solar panels. Easy of installation. Unique ref. Rich-Solar ...



### What is the Suggested Tilt Angle of a Photovoltaic Solar Panel?

When designing a photovoltaic (PV) solar panel system, one of the most critical factors to consider is the tilt angle of the panels. The tilt angle, or the angle at which the panels ...

### How to Calculate Solar Panel Tilt Angle

On the other hand, in low-angle roofs, you might

need a specialized racking system to tilt them at an optimal angle. Use Renogy's adjustable solar panel tilt mount brackets to properly orient the panels at the ...



## Triangle Tilt Leg Adjustable PV Bracket Support Customization

This Tilt Leg Triangle Mount Brackets allow for the mounting of Solar panels to the rooftop of a vehicle or other flat surface, this solar mounting system helps to optimize performance by tilt ...

## SolarRoof(TM) Adjustable Tilt Solar Mounting System

Tilt Legs has been developed as a universal PV-mounting system for pitched and flat roofs. With three adjustable tilt legs, these parts can tilt panels from between 10-60 degrees. Through its ...



## 45" Length Adjustable Solar Panel Tilt Mounting Brackets

ECO-WORTHY 45" Length Adjustable Solar Panel Tilt Mounting Brackets designed for off-grid solar systems, like RV, marine, motor-home, roofs, sheds, etc. Quick assembly with stainless steel fasteners and ...

## Amazon : SOLPERK Solar Panel Mount, 13.8in Solar Panel Stand, Angle

Amazon : SOLPERK Solar Panel Mount, 13.8in Solar Panel Stand, Angle Adjustable (0-60 Degree), Solar Panel Mounting Brackets for 1 Pcs Solar Panel. : Patio, Lawn & Garden. Skip ...

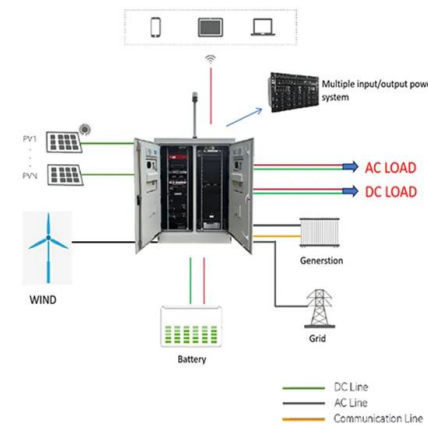


## Guardian Fall Protection 2503Q Adjustable Heavy ...

Amazon : Guardian Fall Protection 2503Q Adjustable Heavy Duty Bracket, for Use with 18/12 Pitch Roofs, 60 Deg Fixed Angle : Industrial & Scientific. Guardian Fall Protection 2503Q Adjustable Heavy Duty Bracket, ...

## Ground-Mount Solar Buyer's Guide 2021: Fixed Tilt ...

Various other alternate foundations may be used on a project-by-project basis. The key component to the GM-2 system is the adjustable bracket connecting the racking system to the foundation posts. This bracket allows the ...



## What is the Best Angle for Solar Panels? Maximizing ...

Using Renogy's adjustable solar panel tilt mount brackets allows you to properly orient the panels at the perfect pitch for your site's solar access and roof, ensuring maximum energy production. Factors Affecting the ...

### Highvoltage Battery



## Discover 3 Key Use Cases of Adjustable Angle ...

DIY Projects: Adjustable angle brackets are helpful for people who enjoy DIY projects and hobbies. These brackets are essential because they can support and adjust to different angles needed for various projects. They can be used for ...

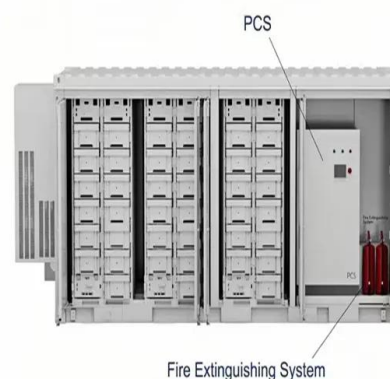


## ECO-WORTHY Upgraded 45in Solar Panel Mount ...

[Simpler Installation]-The newly upgraded 45 bracket is marked with an adjustment scale, which allows you to adjust the angle of the bracket more conveniently during use [More Efficiency] - Boost your solar panel efficiency ...

## BougeRV 41 in Adjustable Solar Panel Tilt Mount ...

This adjustable solar panel tilt mount brackets is compatible with BougeRV 180W/200W solar panels, ECO-WORTHY Solar Panels, Renogy 160w solar panels, and many other brands. Aluminum Tilt Angle Bracket\*2 Steel Knob ...





## **A horizontal single-axis tracking bracket with an adjustable tilt angle ...**

Zaghba et al. [23] analyzed the power generation performance of an uniaxial PV bracket versus a two-axis PV bracket. The two-axis PV tracking bracket increased the output ...

## **Contact Us**

---

For catalog requests, pricing, or partnerships, please visit:  
<https://www.ssab-proiect.eu>