

## European Solar and Energy Storage Solutions

# 5 mw solar power plant cost Dominica



## Overview

---

High Solar Potential with Photovoltaic Power of Close to 5 Kwh Per Sq. M Per Day 10.

High Solar Potential with Photovoltaic Power of Close to 5 Kwh Per Sq. M Per Day 10.

This document presents Dominica's Energy Report Card (ERC) for 2019. The ERC provides an overview of the energy sector performance in Dominica. The ERC also includes energy efficiency, projects, technical assistance, workforce, training and capacity building information, subject to the availability of data.

Dominica has high solar potential with a solar resource of 5.6 kWh per square meter per day and also has approximately 30 MW of wind power potential, some of which is under.

What is the average cost of setting up a 5 MW solar power plant?

The setup cost ranges between ₹20-30 crore, including land, panels, and installation. How much area is required for a 5 MW solar power plant?

In addition to hydropower, Dominica has been exploring other renewable energy sources, such as geothermal and solar power. The island is located on the boundary of the Caribbean and North American tectonic plates, which creates a geothermal hotspot with significant potential for electricity generation. How many solar projects are there in the Dominican Republic?

The solar energy projects in the Dominican Republic began operating in 2016. Currently, there are 11 definitive concessions for the generation of PV electrical energy. These projects cover an installed capacity between 3 MW and 58 MW (see Fig. 5.). Next, a brief inventory first of its kind in the country.

Are there solar power stations in the Dominican Republic?

Photovoltaic Power Stations (current and possibles - in study) in Dominican Republic. Own elaboration. The solar energy projects in the Dominican Republic began operating in 2016. Currently, there are 11 definitive concessions for the generation of PV electrical energy. These projects.

What percentage of solar energy is generated in the Dominican Republic?

Photovoltaic electric energy in the Dominican based technologies (fuel oil, natural gas and coal) represents 77.7 %. The technology that which generates large amounts of GHG. Fig. 1. Share of the five continents in the global installed PV capacity at the end of 2018.

How much wind power is available in Dominica?

Dominica has a wind power potential of 10 MW at Crompton Point in Saint Andrew and an additional 20 MW elsewhere in the country. After reviewing nine wind studies, DOMLEC came to this conclusion.

What is the cost of electricity in Dominica?

The electricity rates in Dominica, as of 2015, were \$0.39 per kilowatt-hour (kWh). This is higher than the Caribbean regional average of \$0.33/kWh.

What is the geothermal potential in Dominica?

Dominica has a high geothermal potential, with estimates ranging from 300 MW to 1,390 MW. The country is expected to develop more than 100 MW of geothermal power and has secured funding for early-stage investment through the World Bank's Geothermal Development Plan.

## 5 mw solar power plant cost Dominica



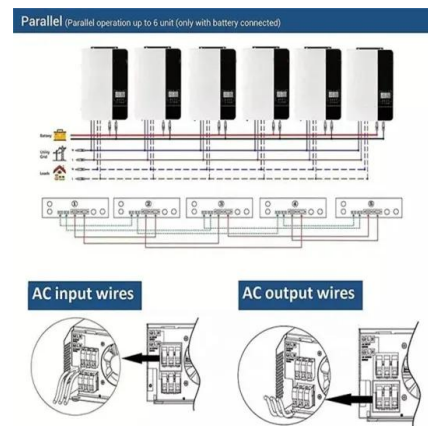
### Dominican Republic Solar Panel Manufacturing Report , Market ...

As of December 2023, the average cost of electricity in the Dominican Republic (including all associated costs such as power, distribution, transmission, and taxes) is approximately \$0.113

...

### 5 MW Solar Power Energy Plant in India: Profit, Cost ...

Here, a minimum of 5 acres of land is required for a 1 MW plant, which means a 5 MW Solar Power Plant will be Rs. 1 crore 25 lakh. The cost of Grid extension can be up to Rs. 15 lakh/km, which depends on the capacity of ...



### Setting Up a 10 MW Solar Power Plant: Costs, Benefits, and ROI

India is on the verge of an energy revolution as it looks to boost its electricity supply. A 10 mw solar power plant may offer not just enough power but also a good return on investment. These utility-scale solar plants could help fill the energy gap, while also providing financial and environmental benefits. Leading this drive is Fenice Energy, with more than 20 ...

## Dominica's Energy Market: A Look at the Island's Energy

In addition to hydropower, Dominica has been exploring other renewable energy sources, such as geothermal and solar power. The island is located on the boundary of the Caribbean and North American tectonic plates, which creates a geothermal hotspot with significant potential for electricity generation.

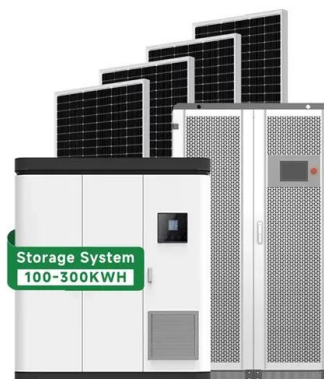


## Construction of a 79MW photovoltaic solar park in the Dominican

The energy deficit and dependence on fossil fuels drove the Dominican Republic to step up its commitment to clean energy. DOMINION took on the task of building the photovoltaic plant in this Caribbean country, with an offer that included everything from the design and construction of the plant to its operation and subsequent maintenance

## Jamaica's 51.5 MW Paradise Park solar project begins operations

Neoen, one of the world's leading renewable energy independent power producers and the majority shareholder in Paradise Park, a 51.5 MWp PV farm based in Westmoreland, Jamaica, together with the solar park's co-shareholders, Rekamniar Frontier Ventures and MPC Caribbean Clean Energy Fund, is today announcing the energization and ...



## 2019 ENERGY REPORT CARD DOMINICA



This document presents Dominica's Energy Report Card (ERC) for 2019. The ERC provides an overview of the energy sector performance in Dominica. The ERC also includes energy efficiency, projects, technical assistance, workforce, training and capacity building information, subject to the availability of data.

## Dominican Republic's new solar projects add over 140 MW

The national energy commission (CNE) of the Dominican Republic this week granted a definitive concession for a 83.4-MW/101.6-MWp solar project with storage, while the nation's Vice President, Raquel Pena, led the inauguration of a 58.48-MW/64.70-MWp solar farm.



## Detailed Project Report (DPR) of 5 MW Solar Grid-Connected Power Plant

By the third quarter of 2012, the United States had deployed more than 2.1 gigawatts (GWac 1 ) of utility-scale solar generation capacity, with 4.6 GWac under construction as of August 2012 (SEIA 2012).

## Understanding Solar Plant Cost Investments

Fenice Energy stands out by showing how solar power investments help businesses. A big 5 MW solar plant can power around 1,250 homes. It can also meet the energy needs of many businesses and industries. The cost of a 5 MW

solar plant is between INR18-INR19.5 crores. But, over time, the savings on energy bills make it worth it. Also, a

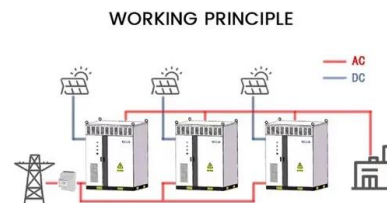


## Dominican Republic Solar Panel Manufacturing Report , Market ...

As of December 2023, the average cost of electricity in the Dominican Republic (including all associated costs such as power, distribution, transmission, and taxes) is approximately \$0.113 per kWh for residential users and \$0.169 per kWh for businesses. 3

## Dominica's Energy Market: A Look at the Island's ...

In addition to hydropower, Dominica has been exploring other renewable energy sources, such as geothermal and solar power. The island is located on the boundary of the Caribbean and North American tectonic plates, ...



## 1 MW Solar Power Plant Specifications and Price in India

What is the estimated cost of a 1 MW solar power plant in India? The estimated cost for installing a 1 MW solar power plant in India ranges between INR 4.5 crores and INR 6 crores

(USD 540,000 to USD 720,000), depending on various factors such as location and additional features.



## 1 MW Solar Power Plant Project Report

The total cost for a 1 MW solar power plant in India, for example, typically ranges between INR4.5 crore to INR6 crore. This cost can vary based on the type of technology used, the location of the plant, and other project-specific factors. Capital Expenditure (CapEx):



### ESS



## Construction of a 79MW photovoltaic solar park in the ...

The energy deficit and dependence on fossil fuels drove the Dominican Republic to step up its commitment to clean energy. DOMINION took on the task of building the photovoltaic plant in this Caribbean country, with an offer that ...

## How Much is 1 MW of Electricity Worth? A Deep Look into Usage, Costs ...

10 acres per 1 MW, for the arrays and site development, according to the BetterEnergy Land Use Primer.. Specifically 2.5 acres per 1 MW just for solar panels, plus more land for equipment, 8billiontrees notes. 4-5 acres total for

a 1 MW commercial solar installation, but 30+ acres for larger utility-scale projects, Coldwell Solar explains. For ...



## 1 MW Solar Power Plant Cost With Complete Detail

The income from a solar power plant depends on several factors like daily electricity production, your own electricity consumption, government purchase policy & prices, etc. In addition, a 1 megawatt solar power plant can recover its cost within 5 to 7 years (on average).



1075KWHH ESS

## Spain's Dominion Energy, Bas unveil 50-MW solar project in ...

...

The event for the El Soco solar project arrives two days after Dominion Energy's parent, Spanish engineering services company Global Dominion Access SA (BME:DOM), announced its renewables division would carry out a capital hike to bring in a new shareholder. The funds are meant to help Dominion Energy become an independent power producer (IPP) ...



## Utility-Scale PV , Electricity , 2024 , ATB , NREL

Units using capacity above represent kW AC.. 2024 ATB data for utility-scale solar photovoltaics (PV) are shown above, with a base



year of 2022. The Base Year estimates rely on modeled capital expenditures (CAPEX) and operation and maintenance (O&M) cost estimates benchmarked with industry and historical data. Capacity factor is estimated for 10 resource ...

## How Much Does a 5 MW Solar Power Plant Cost in ...

Cost of Developing a 5 MW Solar Power Plant in Ireland. The cost of developing a 5 MW solar power plant in Ireland can vary depending on several factors, such as land acquisition, equipment and installation costs, and ...



## Dominican Republic's Solar Boom: 140+ MW Added

The Dominican Republic's national energy commission has approved a new 83.4-MW/101.6-MWp solar project with storage, as well as inaugurated a 58.48-MW/64.70-MWp solar farm led by Vice President Raquel Pena. The Ardavin Solar plant will be built in the Gaspar Hernandez municipality with an energy storage system of 27.5 MW/110 MWh.

## Detailed Project Report (DPR) of 5 MW Solar Grid-Connected

...

this exercise, solar data for "Global solar irradiance" is taken from NASA-SSE, Meteonorm and the "Solar Radiation Handbook 2008. Global solar irradiance for the proposed site, xx from

PV syst 5.74 software. Detailed project report (DPR) of 5 MW Solar Grid-connected Power Plant  
Source: enincon, PV syst 5.74 Source: enincon, PV syst 5.74



## Solar Farm Cost Investment Unveiled: True Cost of Building

A: The cost of a 5 MW solar power plant can range from \$2.75 million to \$7.5 million or more, depending on factors such as location, labor, equipment, and project development costs. Q: What is the cost of a 10 MW solar power plant?

## Contact Us

---

For catalog requests, pricing, or partnerships, please visit:  
<https://www.ssab-proiect.eu>